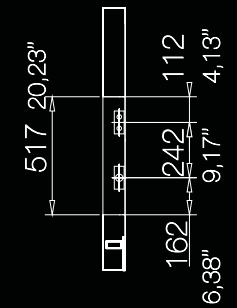
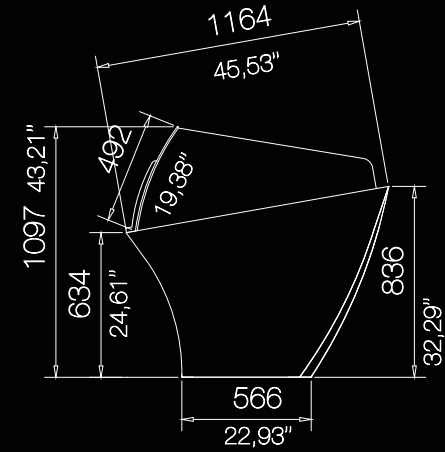
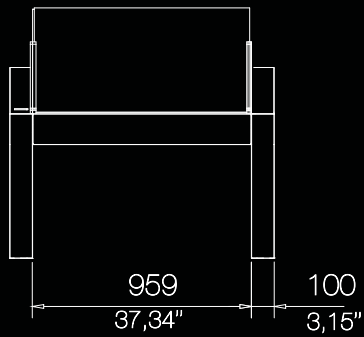
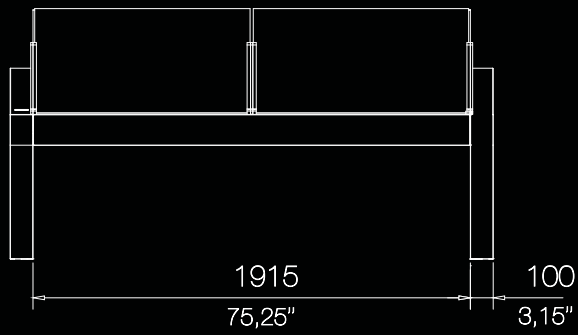
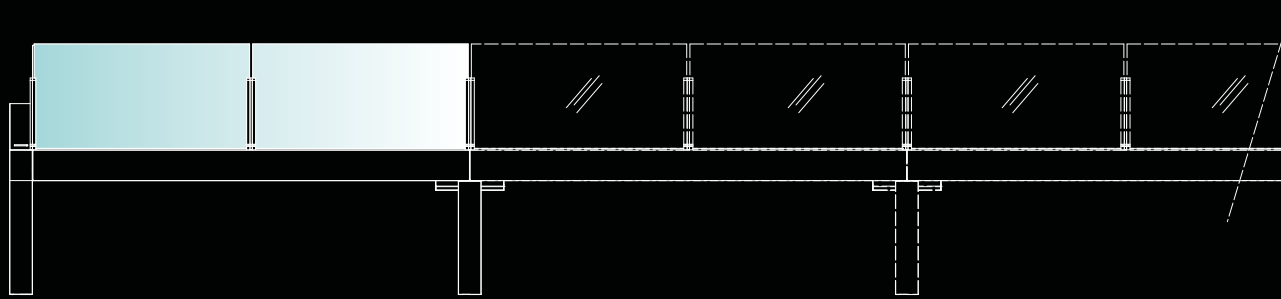


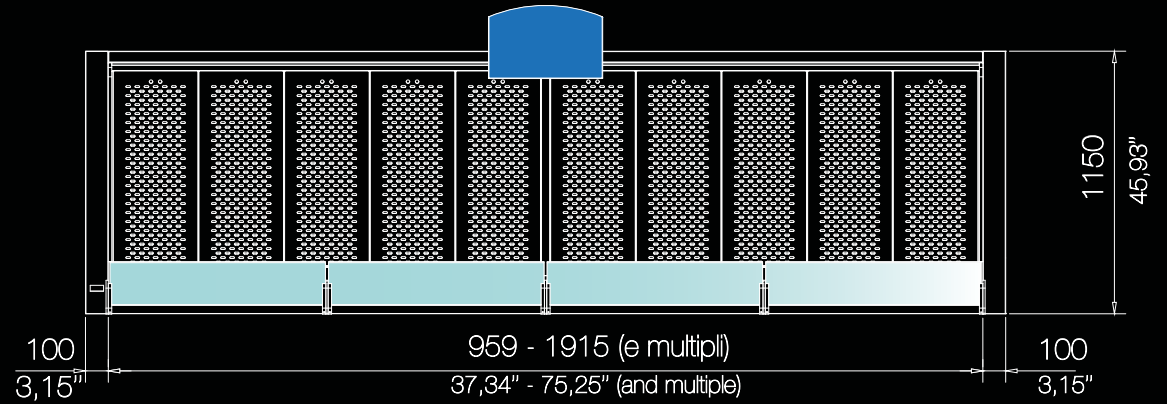
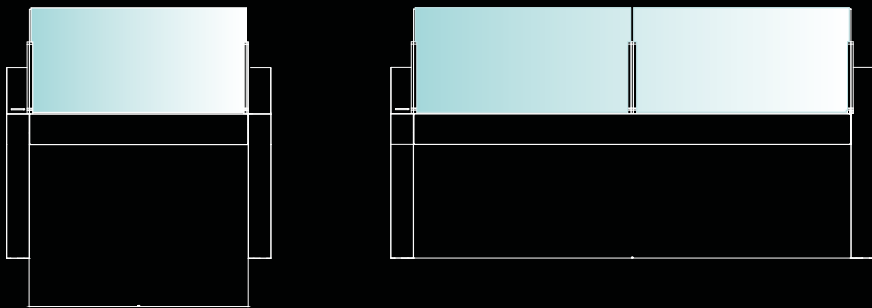
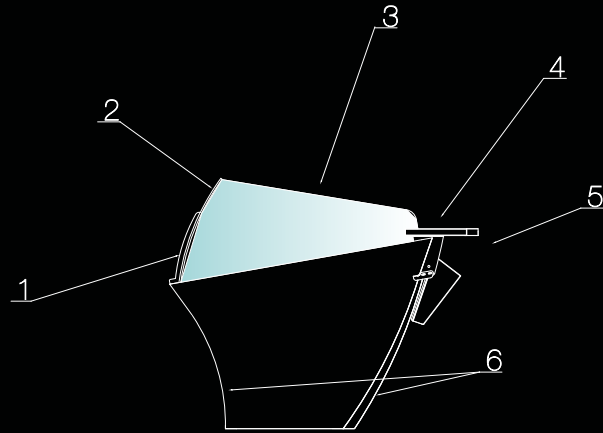
banchi pesce

fish counters



schede tecniche





1. STAFFE REGGIVETRO IN PLEXIGLASS
2. VETRI FRONTALI DRITTI
3. VETRI LATERALI SAGOMATI IN PLEXIGLASS
4. PIANO PORTABILANCIA/LAVORO/POLIETILENE (VEDI ACCESSORI)
5. PORTABUSTE / PORTACARTA (VEDI ACCESSORI)
6. GAMBA CURVA O DRITTA (A SCELTA)

1. PLEXIGLASS GLASS HOLDER BRACKETS
2. STRAIGHT FRONT GLASSES
3. SHAPED SIDE GLASSES IN PLEXIGLASS
4. COUNTERTOP SCALE SUPPORT/WORKING PLAN/POLIETILENE (SEE ACCESSORIES)
5. POUCH HOLDER/ PAPER HOLDER (SEE ACCESSORIES)
6. CURVE OR STRAIGHT LEG (OPTIONAL)



Contrada Taiano, 7 - 64010 Controguerra (TE) - Italia
Tel. +39 0861 809948 - Fax +39 0861 89217
info@inoxpack.it - www.inoxpack.it